

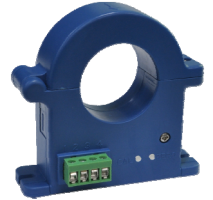
霍尔电流变送器

Hall Current Transducer

一、概述 General

YDG-HTD-7 霍尔电流变送器广泛应用于逆变装置、UPS 电源、通信电源、电焊机、电力机车、变电站、数控机床、电解电镀、微机监测、电网监控等需要隔离检测电流的设施中。

YDG-HTD-7 Hall Current Transducer is widely applied in establishments where isolated current need to be examined, such as inversion equipment, UPS power supplier, communication power supplier, electric welding machines, electric motor-vehicle, transformer substation, digital-controlled lathe, plating, micro-machine monitoring, electric-network monitoring, etc.



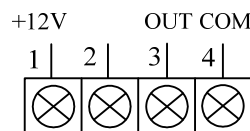
二、主要技术指标 Main Technical Index

- ◇ 执行标准 Standard: JB/T 7490-2007
- ◇ 外形尺寸 External dimensions: $90\pm 0.5\text{mm}\times 30\pm 0.5\text{mm}\times 86\pm 0.5\text{mm}$
- ◇ 精度等级 Accuracy: $\pm 1.0\%$
- ◇ 输入电流 Input current: AC0A~100A
- ◇ 输出参数 Output: DC4mA~20mA
- ◇ 输出负载 Output Load: $\leq 270\Omega$
- ◇ 响应时间 Response time: $< 400\text{ms}$
- ◇ 工频耐压 Working frequency withstand voltage: AC3kV/min.1mA
- ◇ 工作条件 Working condition: $0^{\circ}\text{C}\sim 45^{\circ}\text{C}$, 20%RH~95%RH 无凝露 without condensation
- ◇ 工作电源 Power supply: DC12V $\pm 10\%$
- ◇ 电源功耗 Power consumption: $< 1\text{W}$

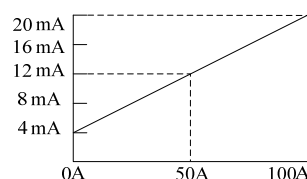
三、接线图及输出曲线对应图 Connecting & Output Curve Diagram

1. 产品接线图 Product Connecting Diagram

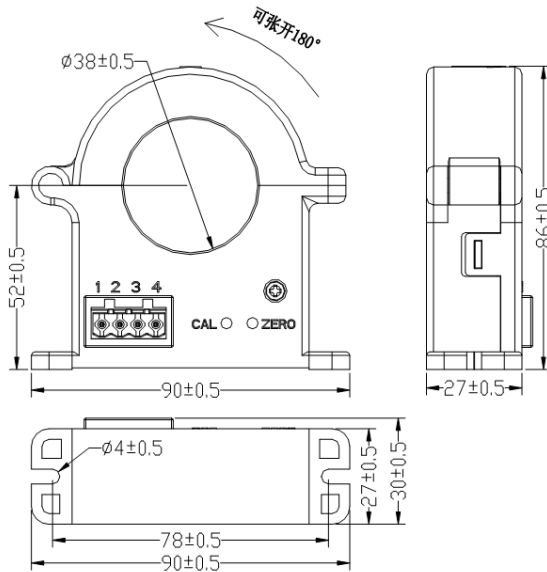
1. 工作正电源端 Power supply (positive)
2. 空 Null
3. 测量输出端 Terminal for measuring output
4. 电源（输出）公共端 Common terminal for power supplier(output)



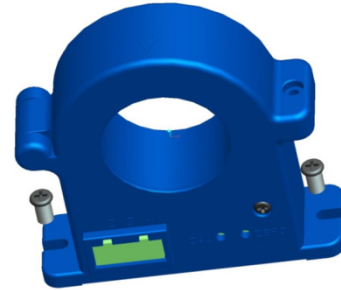
2. 输出曲线对应图 Output Curve Diagram



四、产品外形尺寸图和安装方式图 Structure diagram and installation (单位 Units: mm)



(安装尺寸 Installation dimensions)
(可张开 180° Can open 180°)



(安装方式图: 直接用螺钉固定在固定板上)
(Installation: In a fixed plate with screws)

五、安装 Installation

- 采用螺钉安装方式, 螺钉大小为 M4。
Adopt setscrew for installation, screw size is M4.

六、注意事项 Notice

- 工作电源、输出端必须正确连接, 不能错接;
Power supply and output terminals should be connected correctly;
- 对于两个电位器, 请不要随意调整, 若需调校, 用小螺丝刀缓慢旋转至所需精度即可;
Avoid to adjust the two potentiometers; use small screwdriver to screw it slowly to the precision when necessary;
- 原边母线的温度不应超过 60°C;
The temperature of any generator should not over 60°C;
- 当电流母线填满原边穿线孔时, 获得最佳的测量精度;
The best measuring precision is obtained when the any hole is full of current generator;
- 使用环境应无导电尘埃和无腐蚀金属和破坏绝缘的气体存在, 海拔高度小于 2500 米。
The operating environment allows no electric dust or gases that corrodes metal or destroys insulation. The altitude is less than 2500m.

注: 以上图片仅供参考, 产品以实物为准,

Note: The above pictures are for reference only, the products are subject to the actual product,
版权所有, 保留一切权利。内容如有改动, 恕不另行通知。

Copyright, all rights reserved. Specification subject to change without prior notice.