

霍尔电流变送器

Hall Current Transducer

一、概述 General

霍尔电流变送器广泛应用于逆变装置、UPS 电源、通信电源、电焊机、电力机车、变电站、数控机床、电解电镀、微机监测、电网监控等需要隔离检测电流的设施中。

Hall current transducer is widely used in inverter facilities, UPS power supply, communication power supply, welding machine, electric locomotive, substation, CNC machine tools, electrolytic plating, computer monitoring, power grid monitoring and other facilities need to isolate the detection of current.

二、型号 Model

YDKR20-HTD-100

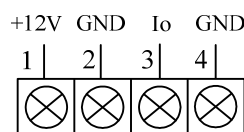
三、主要技术指标 Main technical index

- ◇ 执行标准 Standard: JB/T 7490-2007
- ◇ 精度等级 Accuracy: $\pm 1.0\%$
- ◇ 输入电流 Input current: DC0A~100A
- ◇ 输出参数 Output: DC4mA~20mA
- ◇ 输出负载 Output load: $< 200\Omega$
- ◇ 响应时间 Response time: $\leq 50\mu s$
- ◇ 工频耐压 Working frequency withstand voltage: AC3kV/min.1mA (在原边与副边电路之间 Between the primary side and the secondary circuit)
- ◇ 工作环境 Working condition: 温度 Temperature $0^{\circ}\text{C}\sim 45^{\circ}\text{C}$, 湿度 Humidity 20%RH~95%RH (无凝露 without condensation)
- ◇ 贮存环境 Storage condition: 温度 Temperature $-45^{\circ}\text{C}\sim 85^{\circ}\text{C}$, 湿度 Humidity 20%RH~95%RH (无凝露 without condensation)
- ◇ 工作电源 Power supply: DC12V $\pm 5\%$
- ◇ 电源耗电 Power consumption: $< 1\text{W}$
- ◇ 外形尺寸 External dimensions: $60\pm 0.5\text{mm}\times 61\pm 0.5\text{mm}\times 22\pm 0.5\text{mm}$

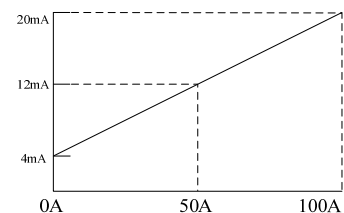
四、接线图及输出曲线对应图 Connecting diagram& Output Curve Diagram

端子定义 Terminal definition

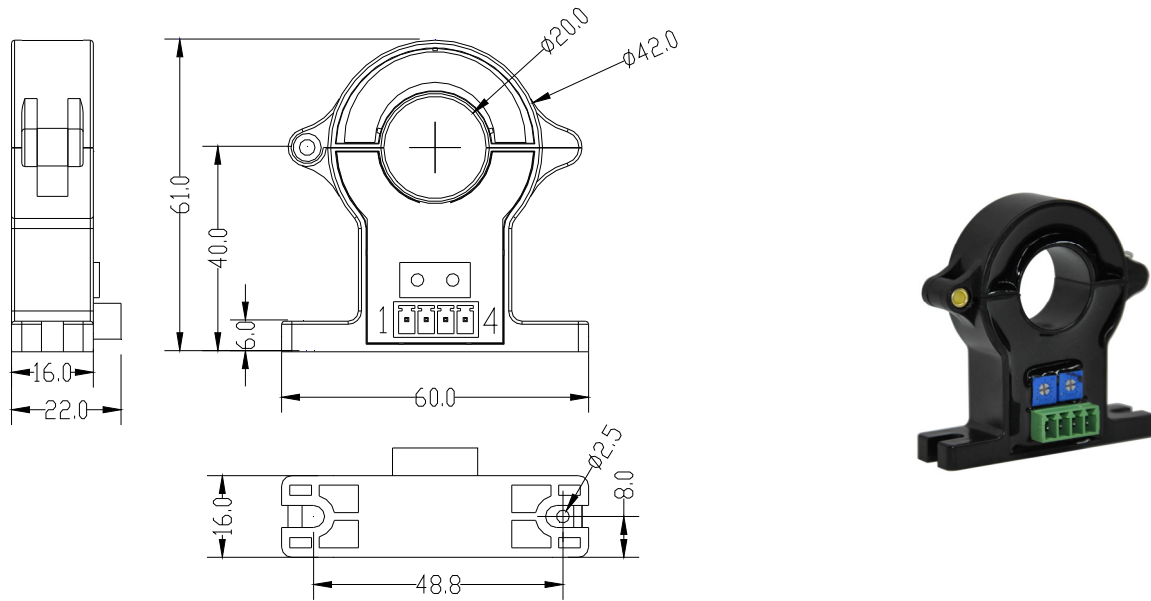
- 1、工作正电源端 Power supply anode
- 2、工作电源地端 Power supply GND
- 3、测量输出正端 Terminal for measuring output
- 4、测量输出负端 Terminal for measuring GND



接线图 Connecting Diagram



输出曲线对应图 Output Curve Diagram

五、产品结构图 External Dimensions (单位 Units: mm, 公差 Tolerance: ± 0.5)

六、安装 Installation

- ◇ 螺钉安装方式，螺钉大小为 M4。
Setscrew installation modes, screw size M4.

七、注意事项 Notice

- ◇ 工作电源、输出端必须正确连接，不能错接；
Power supply and output terminals should be connected correctly;
- ◇ 对于两个电位器，请不要随意调整，若需调校，用小螺丝刀缓慢旋转至所需精度即可；
Avoid to adjust the two potentiometers; use small screwdriver to screw it slowly to the precision when necessary;
- ◇ 原边母线的温度不应超过 60°C；
The temperature of ary generatrix should not over 60°C;
- ◇ 当电流母线填满原边穿线孔时，获得最佳的测量精度；
The best measuring precision is obtained when the ary hole is full of current generatrix;
- ◇ 使用环境应无导电尘埃和无腐蚀金属和破坏绝缘的气体存在，海拔高度小于 2500 米。
The operating environment allows no electric dust or gases that corrodes metal or destroys insulation. The altitude is less than 2500m.

注：以上图片仅供参考，产品以实物为准，

Note: The above pictures are for reference only, the products are subject to the actual product,
版权所有，保留一切权利。内容如有改动，恕不另行通知。

Copyright, all rights reserved. Specification subject to change without prior notice.