

## YDKH0.66-140×60II-B 开合式电流互感器（电力用） YDKH0.66-140×60II-B Split current transformer(the electric power uses)

### 产品特点 Features

- 一次电流 1000A~5000A，二次电流 5A、1A，规格齐全，覆盖 0.2、0.5 两个准确度等级。The primary current is 1000A~5000A, while the secondary current is 1A, 5A. The products line covers accuracy of 0.2、0.5.
- 适用于不断线、不拆线的条件下快速装卸，用于进行电量采集及对电量的监测；Applicable to rapid assemble and disassemble without broken or removing its connecting lead thread, used for the electric quantity collection and power monitoring;
- 所用铁芯经过高真空热处理，性能优良，精度稳定。Vacuum-heat treatment for the iron core achieves excellent performance and stable precision.
- 外壳采用高抗冲阻燃 PC 材料制成，具有良好的安全性能，造型美观。The outer case is made of PC materials which is non-flammable. the performance is reliable and the product is safe for use.
- 采用翻盖式透明端子盖，接线方便。Adopting a flip type transparent terminal cover for convenient wiring.
- 安装方便，可采用压盘固定。Easy installation; Fixed by Platen.
- 性能符合 GB20840.2-2014《电流互感器》技术标准。The performance meets the standard of GB 20840.2-2014 “Current Transformer”.

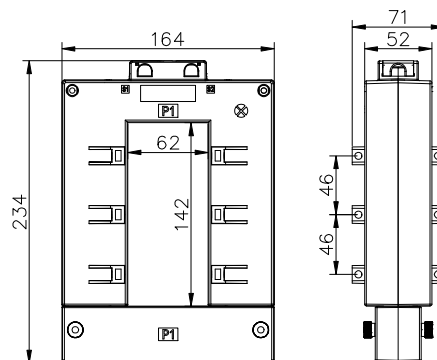
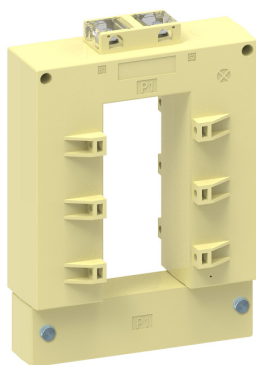
### 注意事项 Matters needing attention

- 使用于额定电压不超过 0.66kV 的交流电路，长期工作电流不超过额定值。当一次电流  $\geq 4000A$  时，为避免相间电流影响，长期工作电流不超过 70% 额定电流，如果长期工作电流要达到额定值，铜排中心距不小于互感器宽度。The use does not surpass 0.66kV in the rated voltage the AC-circuit, the long lasting work electric current does not surpass the rated value. When the primary current is  $\geq 4000A$ , in order to avoid the influence of phase to phase current, the long-term working current should not exceed 70% of the rated current. If the long-term working current needs to reach the rated value, the center distance of the copper bar should not be less than the width of the transformer
- 产品为减极性，一次接线标志 P1、P2，相应二次接线标志 S1、S2。The product is a minus polarity, The first connection symbol is P1、P2, the corresponding secondary current wiring symbol is S1、S2.
- 测量仪表接于 S1、S2 端子上，互感器二次绕组外部回路所接仪表的总阻抗（包括接线）不应超过其额定负荷。Measuring instruments connected to S1、S2 terminals, two times windings outside return route metering equipment total impedance (including wiring) should not be super high rated load.
- 电流互感器在运行中严禁二次开路。The current transformer refuses in the movement two times separation.
- 为了保证测量精度，铜排需居中安装。In order to ensure the measurement accuracy, the copper bar should be installed in the middle.
- 互感器开启后再合上时，必须将磁芯接触完好，否则会影响互感器精度。When the transformer is opened and then closed, the magnetic core must be in good contact, otherwise it will affect the accuracy of the transformer.

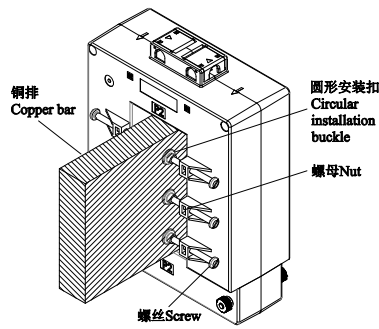
### 产品规格及技术参数 Specification And Technical parameter

型号 Model	参数(A) Parameter (A)	额定负荷(VA) Rated load (VA)	准确级 Accuracy	截面 Section
YDKH0.66-140×60II-B	1000/5~5000/5	5VA~15VA	0.2、0.5	140×10mm <sup>2</sup>
	1000/1~5000/1	5VA~15VA	0.2、0.5	

### 产品结构/尺寸单位 External Dimensions/Dimension unit: mm, 公差 Tolerance: $\pm 1$



安装方式 Installation



压盘固定 Pressing tray fix

注：以上图片仅供参考，产品以实物为准，

Note: The above pictures are for reference only, the products are subject to the actual product,  
版权所有，保留一切权利。内容如有改动，恕不另行通知。

Copyright, all rights reserved. Specification subject to change without prior notice.

