

## CT10 电流互感器 CT10 current transformer

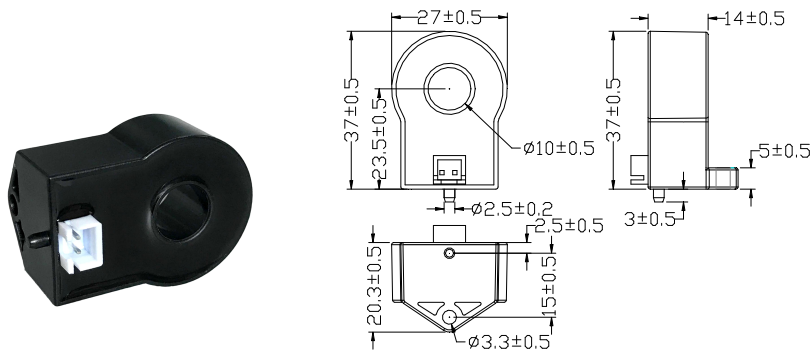
### 产品特点 Features

- ◆ PC/ABS 外壳，耐高温，耐腐蚀；环氧树脂灌封，隔离性能好，抗冲击性强；体积小，外形美观，安装方便；线性好，精度高，线性范围宽，一致性好。用于进行电量采集及对电量的监测。
- ◆ PC/ABS case-resistance to high temperature and corrosion; Epoxy risen-perfect isolation and resistance to strong impact; Small in size and pleasant to eyes easy installation; Excellent linearity and isolation, high precision, wide in linearity range and overall consistency. Used for the electric quantity collection and power monitoring.

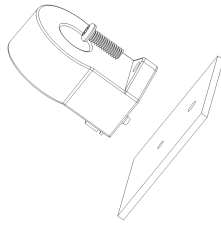
### 主要技术参数 Main parameters

型号 Model	额定输入/输出 Rated input/output	准确级 Accuracy	绝缘电阻 Insulation resistance	角差 Angle difference	负载电阻 Load resistance	隔离耐压 Isolated withstand voltage	穿线孔径 Threading aperture (mm)
CT10-0k5-5	5A/10mA	0.5	≥100Mohm	≤30'	≤20Ω	3kVac	Φ10
CT10-1k-5	5A/5mA	0.2		≤10'	≤20Ω		
CT10-1k-10	10A/10mA	0.2		≤10'	≤20Ω		
CT10-1k-50	50A/50mA	0.2		≤10'	≤20Ω		
CT10-2k-50	50A/25mA	0.2		≤10'	≤50Ω		
CT10-2k5-25	25A/10mA	0.2		≤10'	≤50Ω		
CT10-2k5-50	50A/20mA	0.2		≤10'	≤50Ω		
CT10-2k5-63	63A/25.2mA	0.2		≤10'	≤50Ω		
CT10-2k5-100	100A/40mA	0.2		≤10'	≤20Ω		
CT10-5k-50	50A/10mA	0.2		≤10'	≤200Ω		
CT10-5k-25	25A/5mA	0.2		≤10'	≤200Ω		
CT10-5k-16	16A/3.2mA	0.2		≤10'	≤200Ω		
CT10-5k-32	32A/6.4mA	0.2		≤10'	≤200Ω		
CT10-5k-63	63A/12.6mA	0.2		≤10'	≤50Ω		
CT10-5k-100	100A/20mA	0.2		≤10'	≤50Ω		

### 产品规格 Specification (尺寸单位 Dimension unit: mm)



## 安装方式 Installation



螺钉固定 Screw fixation

## 说明 Note

- 使用温度 Operating temperature:  $-40^{\circ}\text{C}\sim 65^{\circ}\text{C}$ ; 贮存温度 Storage temperature:  $-40^{\circ}\text{C}\sim 75^{\circ}\text{C}$ ;
- 相对湿度 Relative humidity: 10%RH~95%RH;
- 上表所列为常用规格, 还可根据客户要求另行设计。The products are customized according to user's requirements.

注: 以上图片仅供参考, 产品以实物为准,

Note: The above pictures are for reference only, the products are subject to the actual product,

版权所有, 保留一切权利。内容如有改动, 恕不另行通知。

Copyright, all rights reserved. Specification subject to change without prior notice.

