


CT10 current transformer

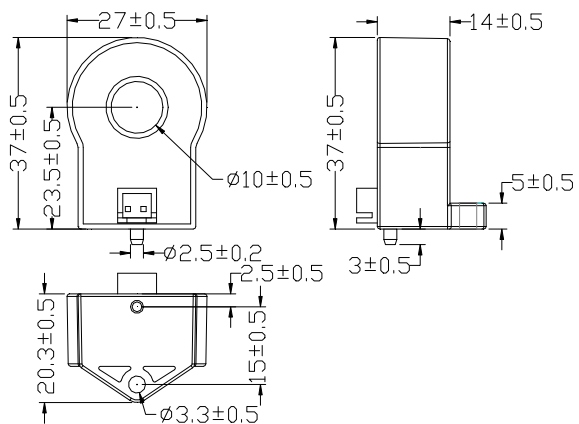
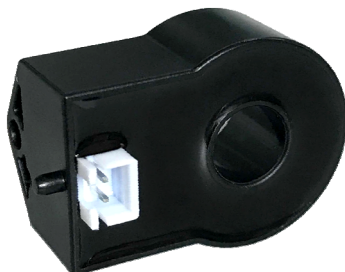
Features

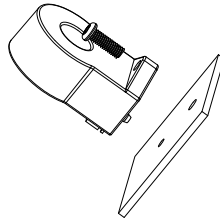
- ◆ PC/ABS case-resistance to high temperature and corrosion; Epoxy risen-perfect isolation and resistance to strong impact; Small in size and pleasant to eyes easy installation; Excellent linearity and isolation, high precision, wide in linearity range and overall consistency. Used for the electric quantity collection and power monitoring.

Main parameters

Model	Rated input/output	Accuracy	Insulation resistance	Angle difference	Load resistance	Isolated withstand voltage	Threading aperture (mm)
CT10-0k5-5	5A/10mA	0.5	≥100Mohm	≤30'	≤20Ω	3kVac	Φ10 
CT10-1k-10	10A/10mA	0.2		≤10'	≤20Ω		
CT10-1k-50	50A/50mA	0.2		≤10'	≤20Ω		
CT10-2k-50	50A/25mA	0.2		≤10'	≤50Ω		
CT10-2k5-25	25A/10mA	0.2		≤10'	≤50Ω		
CT10-2k5-50	50A/20mA	0.2		≤10'	≤50Ω		
CT10-2k5-63	63A/25.2mA	0.2		≤10'	≤50Ω		
CT10-2k5-100	100A/40mA	0.2		≤10'	≤20Ω		
CT10-5k-50	50A/10mA	0.2		≤10'	≤200Ω		
CT10-5k-25	25A/5mA	0.2		≤10'	≤200Ω		
CT10-5k-16	16A/3.2mA	0.2		≤10'	≤200Ω		
CT10-5k-32	32A/6.4mA	0.2		≤10'	≤200Ω		
CT10-5k-63	63A/12.6mA	0.2		≤10'	≤50Ω		
CT10-5k-100	100A/20mA	0.2		≤10'	≤50Ω		

Specification (Dimension unit: mm)



Installation

Screw fixation

Note

- Operating temperature: -40°C~65°C; Storage temperature: -40°C~75°C;
- Relative humidity: 10%RH~95%RH;
- The products are customized according to user's requirements.

Note: The above pictures are for reference only, the products are subject to the actual product,

Copyright, all rights reserved. Specification subject to change without prior notice.

