

YD-GYU31-B 感应式电压检测传感器 Induction voltage detection sensor

(远端型基站断电传感器) 使用说明

(Remote base station power off sensor) Instructions

一、概述 Overview

远端型基站断电传感器由感应式电压检测传感器 (YD-GYU31-B)、无线发送模块 (YD-F432/433/434AI-B) 及无线接收模块 (YD-F432/433/434AO-B) 组成。其中感应式电压检测传感器捆绑在基站户外配电箱前端的市电供电电缆上, 通过检测交变电场的方式来检测市电是否带电并将带电状态通过无线发送模块发送给远在基站内部的无线接收模块, 无线接收模块再将收到远端市电状态转换成电压信号输入到 FSU 设备, 从而完成市电状态的检测。

The remote base station power off sensor is composed of an inductive voltage detection sensor (YD-GYU31-B), a wireless transmission module (YD-F432/433/434AI-B) and a wireless receiving module (YD-F432/433/434AO-B). The inductive voltage detection sensor bundled on the outdoor base station power distribution switches at the front end of the mains power supply cable, through the detection of the alternating electric field to detect the mains electricity is charged and charged through the wireless sending module to far inside the base station of the wireless receiver module, wireless receive module again will receive distal end of mains electricity is converted into a voltage signal input to the FSU equipment, to complete the detection of the mains state.

二、技术参数 Technical Index

● 辅助电源 Auxiliary supply

YD-GYU31-B 传感器由无线发送模块供电, 功耗 $\leq 0.2W$

YD-GYU31-B Sensor is powered by wireless transmission module, consumption $\leq 0.2W$

YD-F432/433/434AI-B / YD-F433AI-E-B 无线发送模块供电 AC85V~265V/DC85V~330V 内置电池 300mAh, 功耗 $\leq 2W$

YD-F432/433/434AI-B / YD-F433AI-E-B the power supply of wireless transmission module AC85V~265V/DC85V~330V built in battery 300mAh, consumption $\leq 2W$

YD-F432/433/434AO-B / YD-F433AO-E-B 无线接收模块供电 DC12V $\pm 20\%$, 功耗 $\leq 2W$

YD-F432/433/434AO-B / YD-F433AO-E-B the power supply of wireless transmission module DC12V $\pm 20\%$, consumption $\leq 2W$

● 输入信号 Input signal

YD-GYU31-B 采集市电交变电场信号, 传输给无线发送模块

YD-GYU31-B Collection mains alternating electric field signal, transmitted to the wireless transmission module

● 输出信号 Output signal

通过 433M 等无线频段向接收端发送市电断电/来电信号, 信号格式为数字量。

Transmit the mains power off/The electricity signal by 433 M wireless spectrum to the receiver. Signal format for digital quantity.

YD-F432/433/434AO-B / YD-F433AO-E-B 无线接收模块输出 The wireless receive module output:

发送端市电有电时输出 5V $\pm 0.1V$ 信号 Transmit output 5V $\pm 0.1V$ signal when the mains is on

发送端市电停电时输出 2.5V $\pm 0.1V$ 信号 Transmit output 2.5V $\pm 0.1V$ signal when the mains is off

当发送端传感器故障、传感器引线被剪断或拔除、433M 通信故障时, 接收模块输出为 0V

When transmitter sensor fault, the line is disconnected or pull out, 433M communication fault, the Receiver Module output 0V.

● 传输距离 Transmission distance

YD-F432/433/434AI-B 和 YD-F432/433/434AO-B 传输距离 1000 米 (空旷地带)

YD-F432/433/434AI-B and YD-F432/433/434AO-B Transmission distance is 1000 m (open area)

YD-F433AI-E-B 和 YD-F433AO-E-B 传输距离 3000 米 (空旷地带)

YD-F433AI-E-B and YD-F433AO-E-B Transmission distance is 3000 m (open area)

● 工作环境 Working condition

温度 -30℃~+70℃, 相对湿度 $\leq 90\%RH$

Temperature -30℃~+70℃, Relative humidity $\leq 90\% RH$

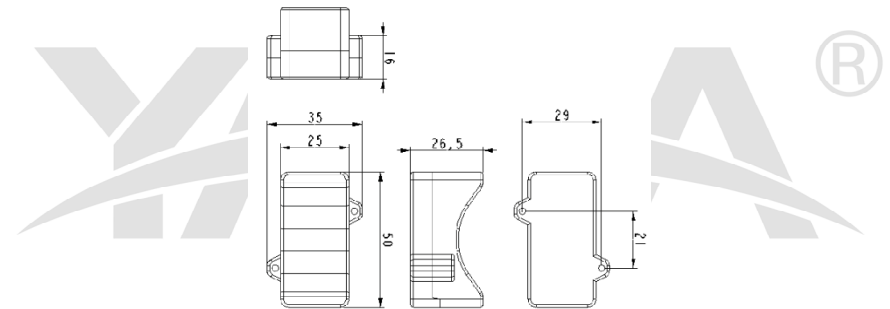
● 感应条件 Induction conditions

被测电缆内有火线; There is a live line in the cable being tested;

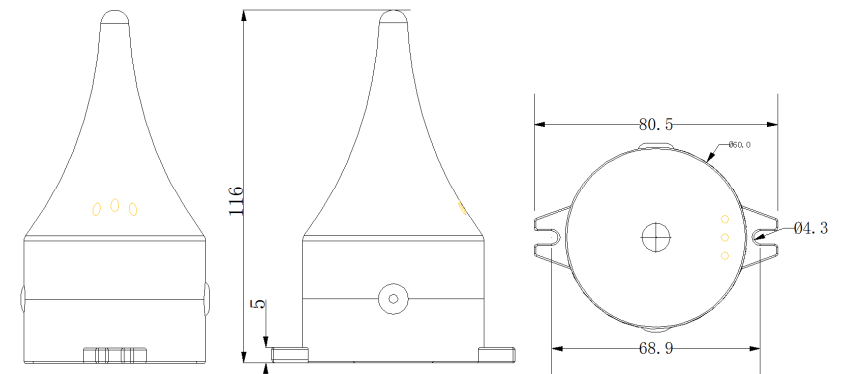
● 检测路数 Testing

传感器能同时检测以捆绑方式集中布放的三相交流电缆中的每一相, 只要其中任一相有电即判断为市电有电;

Each phase of the three-phase alternating current cable which is arranged in a bundle mode is detected simultaneously by the sensor. As long as any of them have electricity that is judged to be the mains supply;

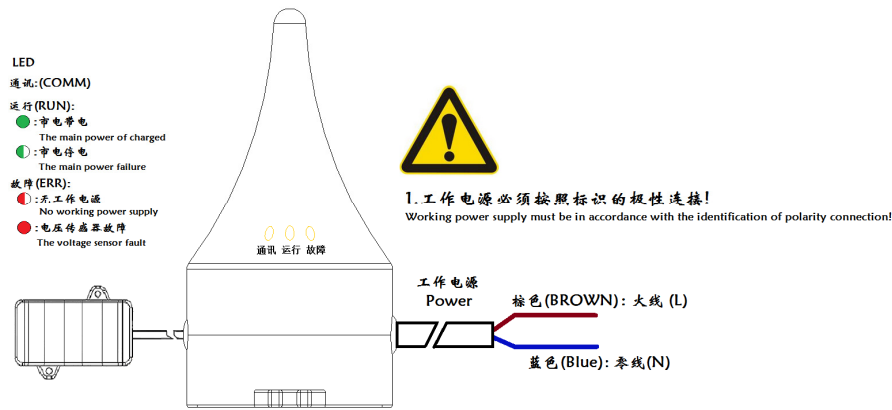
三、产品尺寸图 External Dimensions (单位 Units: mm, 公差 Tolerance: ± 0.5)

YD-GYU31-B 断电传感器 Sensor of power off

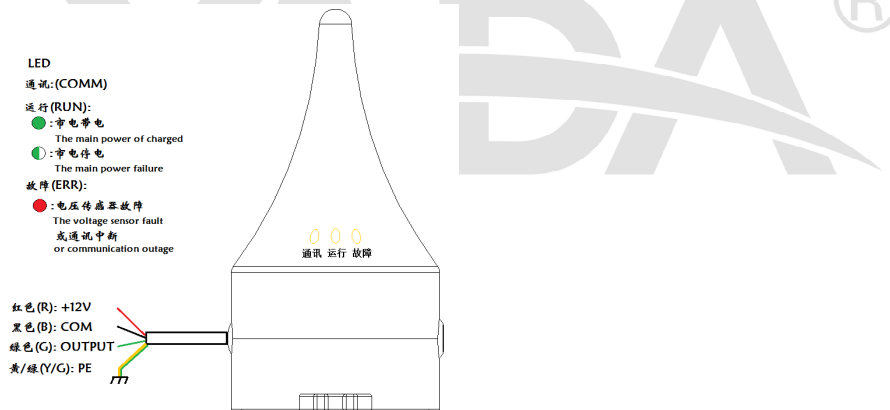


YD-F432/433/434AI(AO)-B / YD-F433AI(AO)-E-B 无线发送/接收模块 Wireless transmit / receive module

四、接线图 Connecting diagram



YD-F432/433/434AI-B/YD-F433AI-E-B 接线图 Wiring diagram

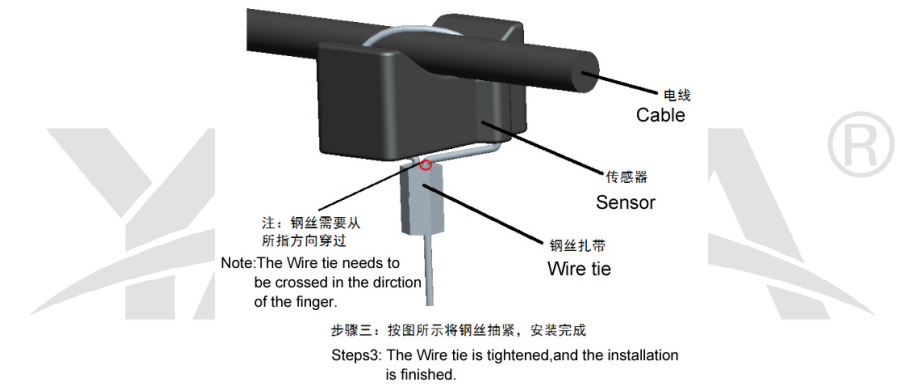
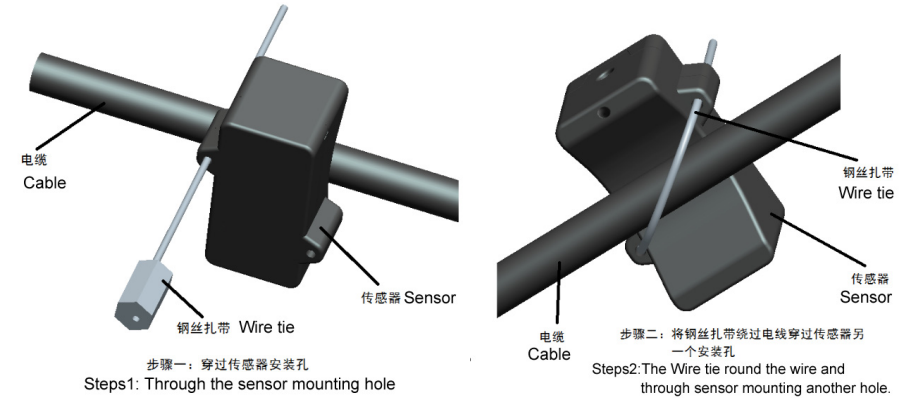


YD-F432/433/434AO-B/YD-F433AO-E-B 接线图 Wiring diagram

五、安装方式 Installation

传感器的感应探头与被测三相交流电缆紧靠安装, 使用钢丝扎带固定(如下安装示意图); 测试时请使用普通塑胶扎带, 正常安装时才使用钢丝扎带, 扎带为一次性使用物料, 一旦安装扣上之后无法拆卸重复使用。

The sensing probe of sensor and the measured close to the three-phase AC cable installation, use wire tie fixed (following installation diagram); testing, please use ordinary plastic cable ties, properly installed to use wire tie, tie for a one-time use of materials, once installed buckle cannot be disassembled repeated use.



六、注意事项 Note:

使用环境应无导电尘埃和无腐蚀金属和破坏绝缘的气体存在, 海拔高度小于 2500 米。

The operating environment allows no inductive dust or air corrosive to metal; Altitude is less than 2500m.

注: 以上图片仅供参考, 以实际出货为准,

Note: The above picture is for reference only, subject to the actual shipment,

版权所有, 保留一切权利。内容如有改动, 恕不另行通知。

Copyright, all rights reserved. Specification subject to change without prior notice.