

YDH-NTC104F3950 温度传感器

YDH-NTC104F3950 Temperature Sensor

一、概述Overview

YDH-NTC104F3950 温度传感器内置 NTC 热敏电阻，与 YDH 系列探测器配套使用，可以用来监测线缆或配电箱体温度，提供温度保护。

The YDH-NTC104F3950 temperature sensor has a built-in NTC thermistor and is used in conjunction with the YDH series detectors to monitor the temperature of cables or distribution boxes and provide temperature protection.

二、性能指标Performance

- 测量温度范围：-20~200℃；

Measuring temperature range: -20~200℃；

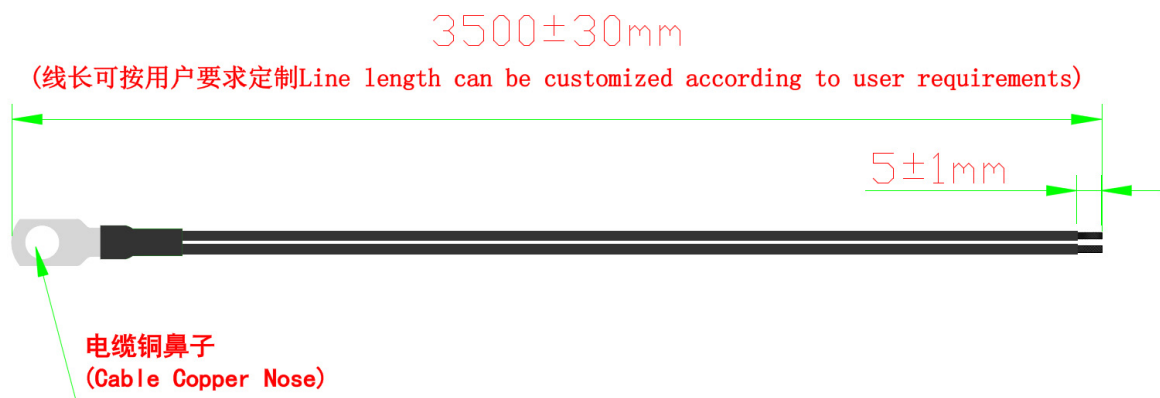
- 线长：3.5m（线长可按用户要求定制）；

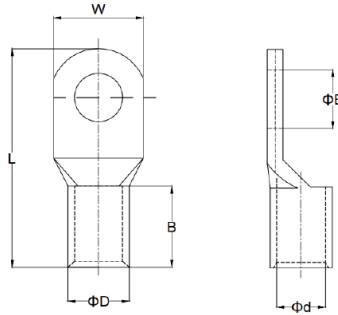
Cable length: 3.5m (the cable length can be customized according to user requirements)；

- 耐压：传感器对外壳间施加 1.5KVAC，2S，无闪络，无击穿现象。

Withstand voltage: The sensor applies 1.5KVAC between the shells, 2S, no flashover, no breakdown phenomenon.

三、外形尺寸与安装方法Dimensions and installation method





单位Units: mm

型号Model	$\Phi E(\pm 0.5)$	$\Phi D(\pm 0.5)$	$\Phi d(\pm 0.5)$	$W(\pm 1)$	$B(\pm 2)$	$L(\pm 1)$
YDH-NTC104F3950	12	9.2	6	16.3	20	40

- **接线方式：温度探头输出的两根线（无极性）分别接探测器 PTA、PTB。**
- **Wiring method: The two wires (non-polar) output by the temperature probe are respectively connected to the detector PTA and PTB.**
- **应用场景 1：电气设备（开关柜、变压器）箱内、箱体温度监测**
- **Application scenario 1: Temperature monitoring of electrical equipment (switch cabinets, transformers) inside and inside the cabinet**

将温度传感器悬置于柜（箱）内，采取柜内空气温度，监测柜体温度，按测温点配置需求，配置一个或多个温度传感器。
The temperature sensor is suspended in the cabinet (box), the air temperature in the cabinet is taken, the temperature of the cabinet is monitored, and one or more temperature sensors are configured according to the configuration requirements of the temperature measurement points.

- **应用场景 2：开关柜引出导线温度监测**
- **Application scenario 2: temperature monitoring of lead wires from switch cabinets**

将温度传感器固定于 A、B、C、N 导线靠近接线端子处绝缘外表面，监测导线温升，需配置4个温度传感器。

Fix the temperature sensor on the insulating outer surface of the A, B, C, N wires near the terminal, and monitor the temperature rise of the wires. Four temperature sensors are required.

- **应用场景 3：电缆温度监测**
- **Application Scenario 3: Cable Temperature Monitoring**

将温度传感器接压在电缆的绝缘外表面，监测电缆过流运行温升，每条电缆配置1个温度传感器。

The temperature sensor is crimped on the insulating outer surface of the cable to monitor the temperature rise of the cable during overcurrent operation. Each cable is equipped with one temperature sensor.

注：以上图片仅供参考，产品以实物为准，

Note: The above pictures are for reference only, the products are subject to the actual product, 版权所有，保留一切权利。内容如有改动，恕不另行通知。

Copyright, all rights reserved. Specification subject to change without prior notice.