

YDKH0.66-130×60II-B 开合式电流互感器（电力用）

YDKH0.66-130×60II-B Split current transformer(the electric power uses)

产品特点 Features

- 一次电流 1000A~6000A，二次电流 5A、1A，规格齐全，覆盖 0.2、0.2S、0.5 两个准确度等级。The primary current is 1000A~6000A,while the secondary current is 1A,5A. The products line covers accuracy of 0.2、0.2S、0.5.
- 适用于不断线、不拆线的条件下快速装卸，用于进行电量采集及对电量的监测；Applicable to rapid assemble and disassemble without broken or removing its connecting lead thread, used for the electric quantity collection and power monitoring;
- 所用铁芯经过高真空热处理，性能优良，精度稳定。Vacuum-heat treatment for the iron core achieves excellent performance and stable precision.
- 外壳采用高抗冲阻燃 PC 材料制成，具有良好的安全性能，造型美观。The outer case is made of PC materials which is non-flammable. the performance is reliable and the product is safe for use.
- 采用翻盖式透明端子盖，接线方便。Adopting a flip type transparent terminal cover for convenient wiring.
- 安装方便，可采用压盘固定。Easy installation; Fixed by Platen.
- 性能符合 GB20840.2-2014《电流互感器》技术标准。The performance meets the standard of GB 20840.2-2014 “Current Transformer”.

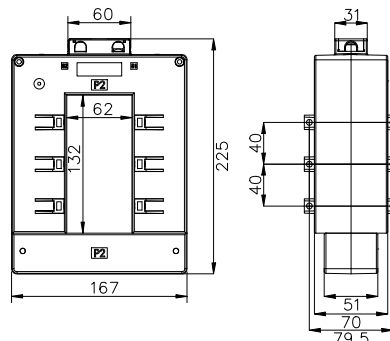
注意事项 Matters needing attention

- 使用于额定电压不超过 0.66kV 的交流电路，长期工作电流不超过额定值。当一次电流 $\geq 4000A$ 时，为避免相间电流影响，长期工作电流不超过 70%额定电流，如果长期工作电流要达到额定值，铜排中心距不小于互感器宽度。The use does not surpass 0.66kV in the rated voltage the AC-circuit, the long lasting work electric current does not surpass the rated value. When the primary current is $\geq 4000A$, in order to avoid the influence of phase to phase current, the long-term working current should not exceed 70% of the rated current. If the long-term working current needs to reach the rated value, the center distance of the copper bar should not be less than the width of the transformer
- 产品为减极性，一次接线标志 P1、P2，相应二次接线标志 S1、S2。The product is a minus polarity, The first connection wiring symbol is P1、P2,the corresponding secondary current wiring symbol is S1、S2.
- 测量仪表接于 S1、S2 端子上，互感器二次绕组外部回路所接仪表的总阻抗（包括接线）不应超过其额定负荷。Measuring instruments connected to S1、S2 terminals, two times windings outside return route metering equipment total impedance(including wiring) should not be super high rated load.
- 电流互感器在运行中严禁二次开路。The current transformer refuses in the movement two times separation.
- 为了保证测量精度，铜排需居中安装。In order to ensure the measurement accuracy, the copper bar should be installed in the middle.
- 互感器开启后再合上时，必须将磁芯接触完好，否则会影响互感器精度。When the transformer is opened and then closed, the magnetic core must be in good contact, otherwise it will affect the accuracy of the transformer.

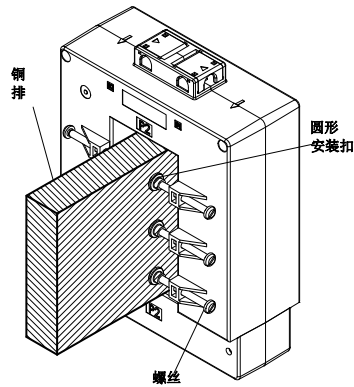
产品规格及技术参数 Specification And Technical parameter

型号 Model	参数(A) Parameter (A)	额定负荷(VA) Rated load (VA)	准确度级 Accuracy	截面 Section
YDKH0.66-130×60II-B	1000/5~6000/5	5VA~15VA	0.2、0.2S、0.5	130×10mm ²
	1000/1~6000/1	5VA~15VA	0.2、0.2S、0.5	

产品结构/尺寸单位 External Dimensions/Dimension unit: mm, 公差 Tolerance: ± 1



安装方式 Installation



压盘固定 Pressing tray fix

注：以上图片仅供参考，产品以实物为准，

Note: The above pictures are for reference only, the products are subject to the actual product,
版权所有，保留一切权利。内容如有改动，恕不另行通知。

Copyright, all rights reserved. Specification subject to change without prior notice.

