

YDN-WDT10 型水浸传感器

YDN-WDT10 Cable type Water immersion sensor

1、概述 General

YDN-WDT10 型水浸传感器（简称传感器）是基于液体导电原理，用电极检测是否有水存在，用传感器中的继电器导通状态判断是否有水浸。

YDN-WDT10 cable type water immersion(short for sensor) is based on the principle of conductive liquid, use electrodes to detect whether there is water, and uses the conduction state of relay in the sensor to judge whether there is water immersion.

2、外观 Appearance

传感器的外观如图 1 所示 The appearance of sensor (Picture 1)



图 1 外观

Picture 1 Appearance

输出及电源接线用于传感器供电及告警输出。 Output and power wiring for sensor power supply and output alarm.

3、主要性能指标 Main technical index

输入 Input: 电极检测水浸 Electrode detection of flooding

输出 Output: 继电器常开及常闭 Relay is normally on and closed

报警阈值范围 Alarm threshold range: $50k\Omega \pm 10k\Omega$ (回滞值 hysteresis value: $\geq 5k\Omega$)

辅助电源 Auxiliary power supply: ①DC12V \pm 5%; ②DC24V \pm 10%

工作电流 Working current: ①DC12V $<$ 40mA (max); ②DC24V $<$ 20mA (max)

继电器触点带载能力 Load carrying capacity of relay contacts: 2A 24VDC, 2A 120VAC

水位报警高度 Water level alarm height: $\geq 1\text{mm}$

响应时间 Response time: $< 1\text{S}$

工作环境 Working condition: 温度 Temperature: $-10^{\circ}\text{C} \sim 60^{\circ}\text{C}$;

贮存环境 Storage condition: 温度 Temperature: $-40^{\circ}\text{C} \sim 85^{\circ}\text{C}$

4、安装 Installation

4.1 外型尺寸 External dimension

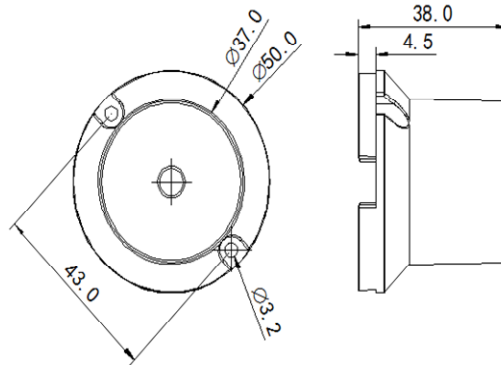


图 2 外形尺寸图 (单位: mm, 公差: ±0.5)

Picture 2 External dimensions (Units: mm, Tolerance: ±0.5)

4.2 安装方式 Installation

螺丝安装。Screw installation.

5、接线方式 Wiring mode

5.1 输出及电源接口 Output and Power Interface

输出及电源接线方式定义见表 2。The definition of output and power connection mode is shown in Table 2.

表 2 接线颜色定义 Definition of wiring color

接线颜色 Wiring color	定义 Definition
红 Red	电源 V+ The power of V +
棕 Brown	电源 V- The power of V-
蓝 Blue	继电器常闭脚 Relay normally closed pin
白 White	继电器公共脚 Relay common pin
黄 Yellow	继电器常开脚 Relay normally open pin

注：以上图片仅供参考，产品以实物为准，

Note: The above pictures are for reference only, the products are subject to the actual product,
版权所有，保留一切权利。内容如有改动，恕不另行通知。

Copyright, all rights reserved. Specification subject to change without prior notice.